



OVERVIEW BAGGING MACHINES

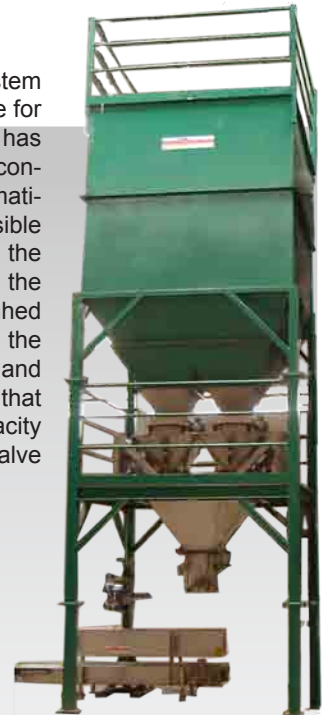
Small Bag Unit Single

The Small bag Single Unit is an automatic bag fill system that fills Bags from 15 to 50 kg. This machine is suitable for powder and granular materials. The Small Bag Unit has got a Stainless steel weighing scale with a content of 60 kg. The complete unit operates fully automatically by means of a weighing indicator. It is also possible to operate the unit manually. The operator fastens the bag around the filling mouth. A clamp system holds the bag, so that the bag stays on the machine. The weighed product automatically drops into the bag. As soon as the bag is filled the clamp automatically releases the bag and the system transports the full bag on to the conveyor that transports it to the sewing or seal machine. The capacity is 400 Bags for open mouth bags and 300 bags for valve bags per hour.



Small Bag Unit Double

The Small Bag Single Unit is an automatic bag fill system suitable for 15 to 50 kg bags. This machine is suitable for powder and granular materials. The Small Bag Unit has got two Stainless steel weighing scales with each a content of 60 kg. The complete unit operates fully automatically by means of a weighing indicator. It is also possible to operate the unit manually. The operator fastens the bag around the filling mouth. A clamp system holds the bag, so that the bag stays on the machine. The weighed product automatically drops into the bag. As soon as the bag is filled the clamp automatically releases the bag and the system transports the full bag on to the conveyor that transports it to the sewing or seal machine. The capacity is 800 Bags for open mouth bags and 600 bags for valve bags per hour.



Big Bag Economic

The Big bag Economic and Low Profile Unit is an automatic bag filling system suitable FIBC bags (Flexible, intermediary, Bulk, Containers). This machine is suitable for powder and granular materials. The Big bag will be held up and closed around the filling pipe by hand so that there will no problems with excess dust during the filling process. The filling height is determent on the size of the big bag. When the bags are full the weight of the product will be determined, and it will be transported by a conveyor. The scale system works with a weigh indicator of Avery Salter Weighthonix. The whole unit can be operating fully automatically and manually. The machine is made for different set-up possibility's. The Big bag Economic is a fixed machine with a hopper storage above it. The Big bag Low Profile is a portable machine which can be moved by a fork-lift, and will be filled by a loader. The capacity of both systems is 30 ton per hour with big bags of 1 ton and approximately 40 bags of 500 kg in per hour.



Big Bag High Speed

The Big Bag High Speed is an automatic bag fill system that fills FIBC bags (Flexible, intermediary, Bulk, Containers). The machine weighs and fills automatically it is can fill 100 up to 1250kg bags. The weight scale hopper unloads into a Stainless steel pipe which fits into Big bags. The scale system works with a weight indicator made by Avery Salter Weighthonix. The whole unit can be operating fully automatically and manually. The Big bag stands on the Big conveyor and can be removed by a forklift. The height of the filling pipe is adjustable in over a length of 500 mm. The Big bag will be held up and closed around the filling pipe by hand so that there will no problems with excess dust during the filling process.



Manufacturer of Fertilizer

EUROPEAN



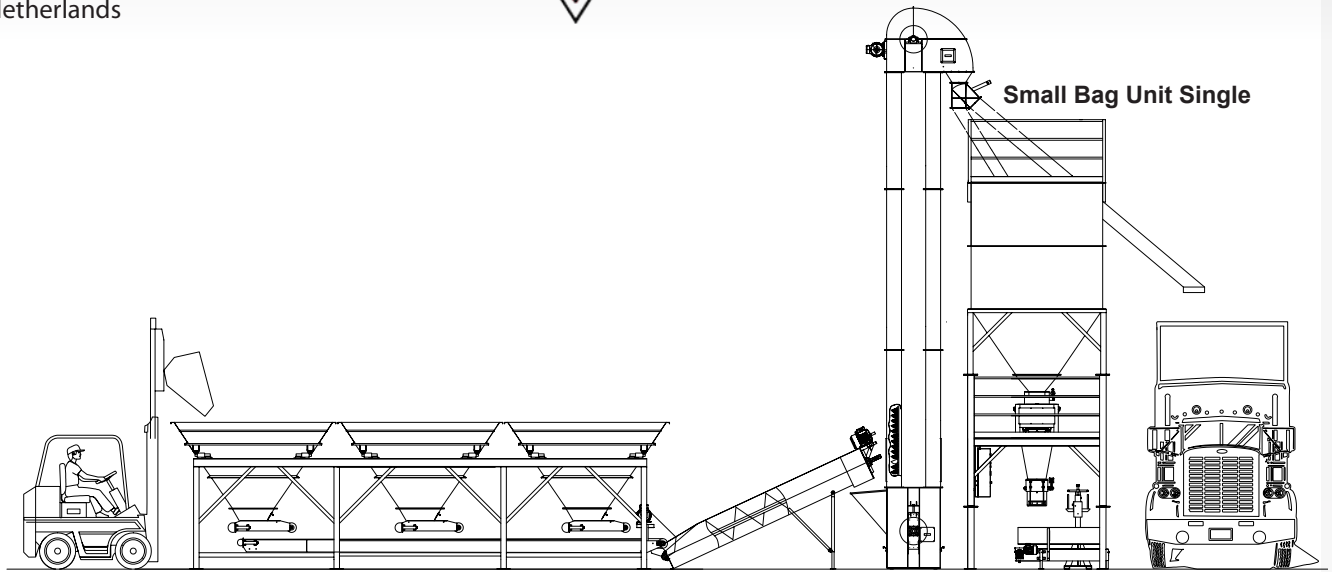
Blending and Bagging machines

MACHINE TRADING

Molenpad 10
1756 EE 't Zand N.H.
The Netherlands

www.e-m-t.nl
emt@e-m-t.nl

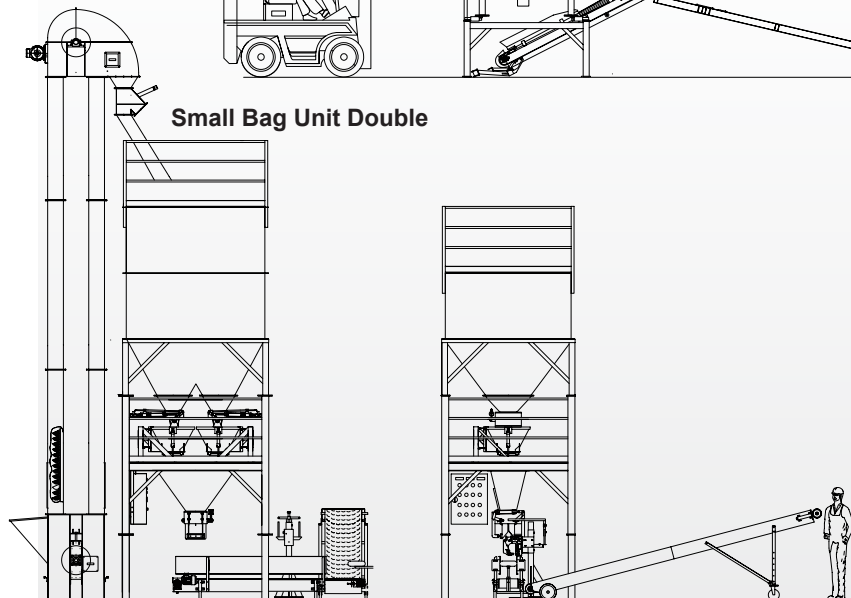
Tel.: +31 (0)224 59 12 13
Fax: +31 (0)224 59 14 54



Small Bag Unit Single



Big Bag Economic,
Low Profile



Small Bag Unit Double



Big Bag High Speed

