



# ADDITIONAL PRODUCTS

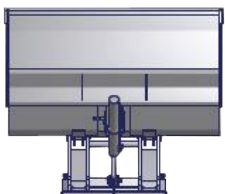
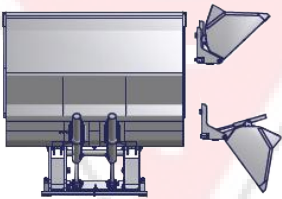
## Compressor and Air Dryer

The pneumatic air compressor is used with the bagging units. With a motor of 5,5 kW and a capacity of 860 litre per minute.

Complete with air tank of 500 litre and a maximum pressure of 10 Bar.

This Compressor is equipped with a forced cooling system, 2 step pressure system and start delta electrical starter. Air dryer to dry the air to +2°Celsius.

This Air Dryer prevents moisture in the air lines. However Compressor and dryer need to stay in a separate room, the surrounding temperature needs to be above 0° Celsius. Also a smaller Compressor with a capacity of 200 litre and 3 kW is available.



## Forklift Pick Up Buckets

Solid Hydraulic operated Pick Up Bucket which can be installed on the Fork Board of a normal forklift. The fork needs to be removed and the pick up bucket will be hanging on the fork board. The bucket is constructed out of 8 mm thick steel plate with a reinforced welded mangan bar (Hardox 120 x 20) at the pick up place where the bucket reaches the floor. The bucket is made with 1 or 2 hydraulic cylinders (depending of bucket type). Bucket can be connected and disconnected to the fork board with a quickly hand connect system. The product includes 2 hydraulic hoses with quick connections to the fork board. Fork Board type FEM II or FEM III or IV.

Type/litre	Dimensions Bucket Loader			Kg/Volume	Empty weight	Forklift Type Ton	FEM
	Wide	Dept	Cylinder				
175 I	1750 cm	1700 cm	1	1200 liter	590 kg	2 ton	II-III
200 I	2000 cm	1700 cm	1	1400 liter	690 kg	2,5 ton	II-III
200 ZI	2000 cm	2000 cm	2	1950 liter	810 kg	3 ton	III-IV
225 ZI	2250 cm	2000 cm	2	2200 liter	980 kg	3,5	III-IV





# ADDITIONAL PRODUCTS

## Liquid Impregnation Systems

### Type Tank

The liquid impregnation system has a plastic tank of 100 litres with a pump and motor. It includes an automatic time delay counter and an electrical panel with hoses, nozzle and impregnation pipe.

The system is completely integrated for automatic dosing inside the batch blender type.

Type Tank

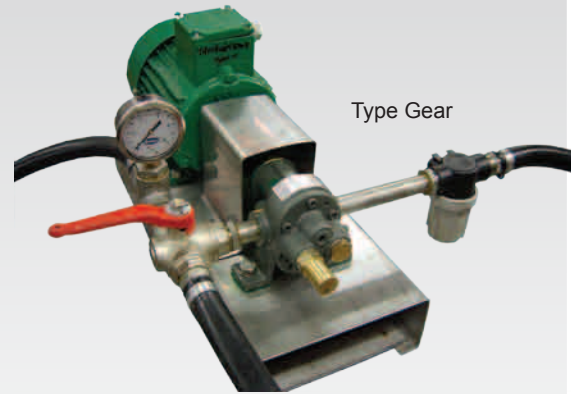


### Type Gear

This pump is electrically operated and is adjustable in capacity by changing the speed of the pump motor by a frequency transformer. Starting and stopping of the pump is regulated with the electrical panel. The spray system is integrated on the incline blending auger.

The pipes and nozzles are constructed out of Stainless steel. The pump itself sucks the impregnation liquid out of a 200 litre drum.

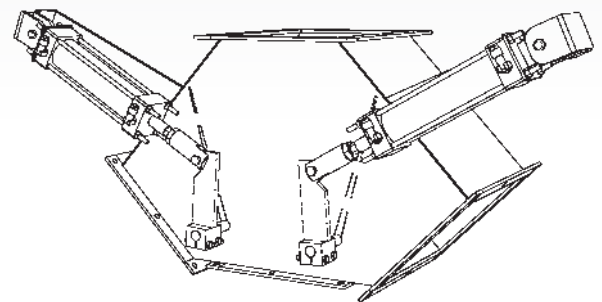
Type Gear



### 3 Way Divider

Stainless steel 3 way-valve to divide the direction of the product to the small bag line 1 and small bag line 2 and bulk.

Constructed out of Stainless steel and with a pneumatic cylinder constructed from Fibreglas with Stainless steel shaft.



### 2 way Divider

Stainless steel 2 way-valve to divide the direction of the product to 2 different directions. Constructed out of Stainless steel and with 1 pneumatic cylinder with a Stainless steel shaft.

